



AL125UL • AL125ULX • AL125ULP • AL125ULE Access Control Power Supply/Chargers

Rev. 050803

Overview:

AL125UL, AL125ULX, AL125ULP, AL125ULE are Power Limited Power Supply/Chargers that will convert 115VAC 50/60Hz input, into two individually PTC protected 12VDC or 24VDC outputs (see specifications). They are intended for use in applications requiring UL Listing for Access Control (UL294) and applications requiring an interface with Fire Alarm Control Panels.

Specifications

Agency Listings:

- UL Listed for Access Control Systems (UL294).
CUL Listed - CSA Standard C22.2 No.205-M1983, Signal Equipment.
- MEA - NYC Department of Buildings Approved.
- NFPA 101 (Life Safety).



Input:

- AL125UL, AL125ULX - 115VAC 50/60 Hz, .6 amp.
- AL125ULP, AL125ULE - 24VAC @ 40VA.

Output:

- Two (2) 12VDC or 24VDC, class 2 rated power limited outputs.
- 1 amp total supply current @ 12VDC or 24VDC (AL125UL & AL125ULX).
- 1 amp total supply current @ 12VDC, .5 amp total supply current @ 24VDC (AL125ULP & AL125ULE).
- Filtered and electronically regulated output.*

Battery Backup:

- Built-in charger for sealed lead acid or gel type batteries.
- Maximum charge current: 400mA.

*Note: When unit is powered by battery back up (AC Fail condition) the voltage range is 9.3V-13.2V and 19.55V-26.4V for 12 and 24 volt operation respectively.

Battery Backup (cont'd):

- Automatic switch over to stand-by battery when AC fails.

Special Features:

- AC power and unit status indicator on the front panel.
- Normally Open [NO] trigger input.
- Supervised Fire Alarm Disconnect (Latching w/reset or Non-Latching).

Configurations:

- AL125UL - includes power supply, transformer and enclosure (8.5"H x 7.5"W x 3.5"D). Accommodates one (1) 12VDC/4AH battery.
- AL125ULP - includes power supply, plug-in transformer (24VAC/40VA) and enclosure (8.5"H x 7.5"W x 3.5"D). Accommodates one (1) 12VDC/7AH battery or two (2) 12VDC/4AH batteries.
- AL125ULE - includes power supply, cam lock and enclosure (8.5"H x 7.5"W x 3.5"D). Accommodates up to two (2) 12VDC/4AH batteries.
- AL125ULX - includes power supply, transformer, cam lock and enclosure (13"H x 13.5"W x 3.25"D). Accommodates up to two (2) 12VDC/7AH batteries.

Power Supply Output Specifications: (AL125UL, AL125ULX)

Output VDC	Switch Position	Max. Stand-by Load DC	Max. Alarm Load DC	Battery (optional)
12VDC	SW2 Open	1 amp	1 amp	12VDC
24VDC	SW2 Closed	1 amp	1 amp	24VDC

Power Supply Output Specifications: (AL125ULP, AL125ULE)

Output VDC	Switch Position	Max. Stand-by Load DC	Max. Alarm Load DC	Battery (optional)
12VDC	SW2 Open	1 amp	1 amp	12VDC
24VDC	SW2 Closed	.5 amp	.5 amp	24VDC

Stand-by Specifications:

Output	4 hr. of Stand-by & 5 Minutes of Alarm
12VDC / 4AH Battery	.5 amp / 1 amp
24VDC / 4 AH Battery	.5 amp / 1 amp

Output	4 hr. of Stand-by & 5 Minutes of Alarm
12VDC / 7 AH Battery	1 amp / 1 amp
24VDC / 7 AH Battery	1 amp / 1 amp

Installation Instructions:

The units should be installed in accordance with article 760 of The National Electrical Code and NFPA 72 as well as all applicable Local Codes.

See Terminal Identification Chart on page 2 for a description of each terminal function.

1. Install Power Supply Board into enclosure (Fig. 1 - Board Installation Diagram, pg. 3).
2. Mount the unit in desired location.
3. Power connections:
 - a. **AL125UL, AL125ULX** - Connect secondary (blue and yellow leads) from the transformer to the Power Supply Board terminals marked [XFMR] (Fig. 1 - Board Installation Diagram, pg. 3). Connect 115VAC 50/60Hz to the black and white flying leads of the transformer. Secure green wire lead to earth ground. Use 18 AWG or larger for all power connections (Battery, AC input, DC outputs). Use 22 AWG to 18 AWG for power limited circuits (Trigger inputs, Dry outputs, DC outputs).
 - b. **AL125ULP, AL125ULE** - Connect 24VAC from UL Listed 40VA plug-in transformer (included with AL125ULP) to terminals marked [XFMR]. **Keep power limited wiring separate from non-power limited wiring (115VAC 50/60Hz Input, Battery Wires). Minimum .25" spacing must be provided.**
4. Measure output voltage before connecting devices. This helps avoid potential damage.
5. Set the desired DC output voltage by setting switch SW2 to the appropriate position (Power Supply Output Specifications Table, pg. 1).
6. Connect Fail-Safe locking devices to the terminals marked [COM- and LOCK+]. Connect Fail-Secure locking devices to the terminals marked [COM- and STRIKE+] (Fig. 2 - Application Diagram, pg. 3).
7. Connect normally open access control device (i.e. cardreader, request to exit device, access control system) to the terminals marked TRG INPUT [NO, GND] (Fig. 2 - Application Diagram, pg. 3).
8. Connect FACP interface to the terminals marked [FACP1 and FACP2]. Wire the 2.2K resistor (supplied) in series for a normally closed input or in parallel for a normally open input (Fig. 2 - Application Diagram, pg. 3). If required, set the latching FACP interface mode by closing SW1 (Fig. 2A - Application Diagram, pg. 3), and connect a normally open reset device to the terminals marked RESET [NO, GND].
9. Connect battery to terminals marked [+ BAT -] (battery leads included). Use two (2) 12VDC batteries connected in series for 24VDC operation.

Note: For Access Control applications, batteries are optional. When batteries are not used a loss of AC will result in the loss of output voltage. When the use of stand-by batteries are desired, they must be lead acid or gel type.

Maintenance:

Unit should be tested at least once a year for the proper operation as follows:

Output Voltage Test: Under normal load conditions, the DC output voltage should be checked for proper voltage level (Power Supply Output Specifications Table, pg. 1).

Battery Test: Under normal load conditions check that the battery is fully charged, check specified voltage both at battery terminal and at the board terminals marked [- BAT +] to insure there is no break in the battery connection wires.

Note: Maximum charging current under discharge is 400mA.

Note: Expected battery life is 5 years, however it is recommended changing batteries in 4 years or less if needed.

Terminal Identification:

Terminal Legend	Function/Description
XFMR	Low voltage transformer connections.
+ AUX -	Aux power output terminals. These terminals will supply 12VDC or 24VDC, not affected by trigger, reset or fire alarm interface.
LOCK + STRIKE + COM -	Switched power output. Fail-Safe [LOCK+] supplies positive power when unit is not triggered and FACP interface is inactive. Fail-Secure [STRIKE+] supplies positive power when unit is triggered and/or fire alarm interface is activated. [COM-] supplies negative power.
FACP1 FACP2	Supervised by 2.2K end of line resistor FACP interface. Short or open will cause power to be dropped to terminal marked [LOCK+] and supply power to terminal marked [STRIKE+]. Condition can be maintained even after restoration of the circuit (latching mode).
TRG INPUT NO, GND	Short between these two terminals will cause power to be dropped to terminal marked [LOCK+] and supplied to terminal marked [STRIKE+].
RESET NO, GND	Momentary short between these terminals would end latching FACP interface condition. Feature active only if latching FACP is selected (SW1 closed).
- BAT +	Stand-by battery connections.

LED Diagnostics:

Red	Power Supply Status
ON	Normal function.
OFF	No DC output.
Slow Blink	Loss of AC.
Rapid Blink	Unit is triggered, awaiting reset. Fire alarm interface activated.

Fig. 1 - Board Installation Diagram:

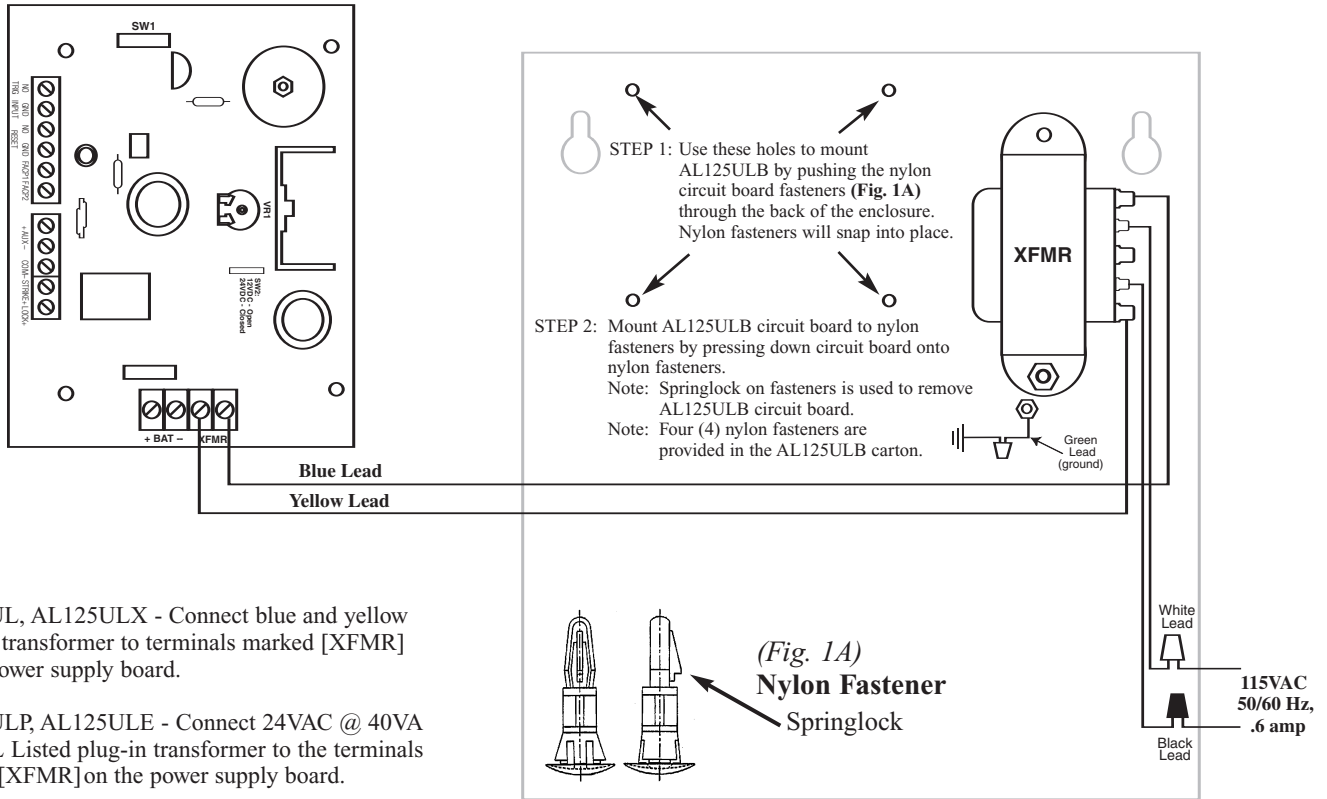
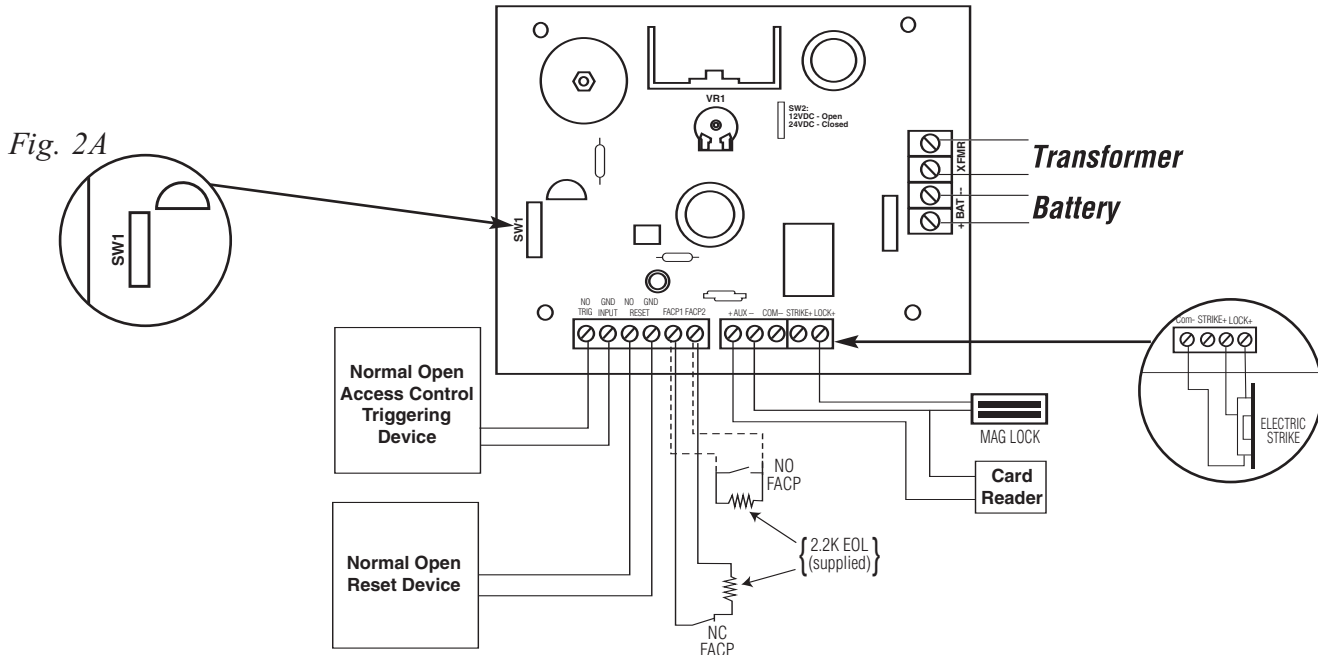
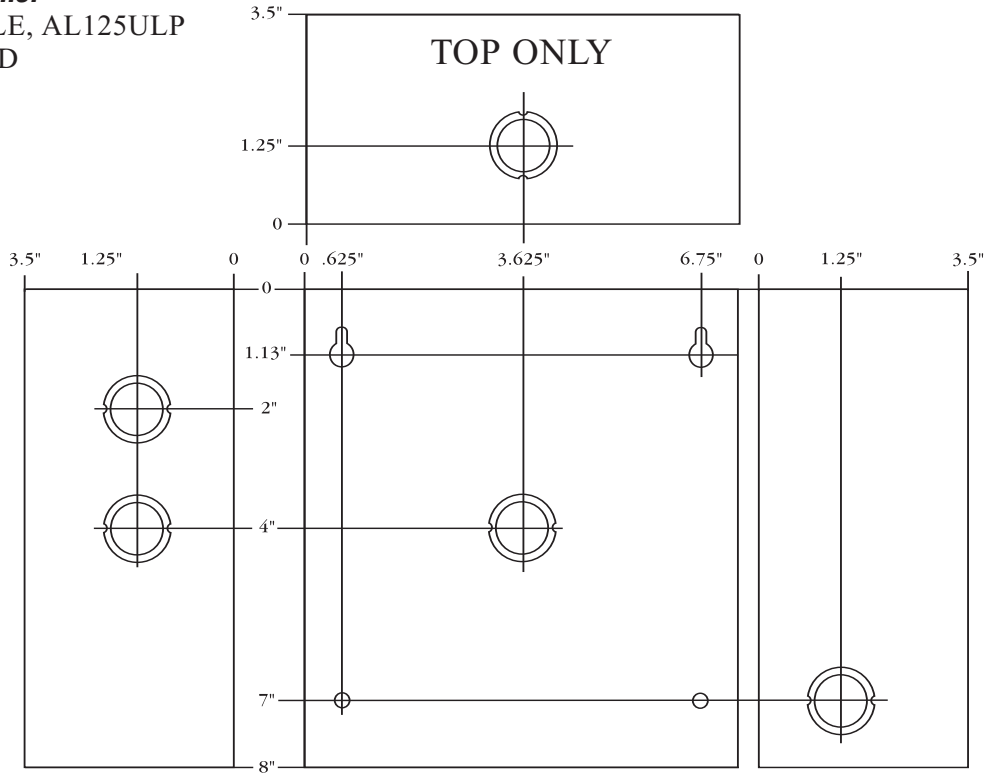


Fig. 2 - Application Diagram:



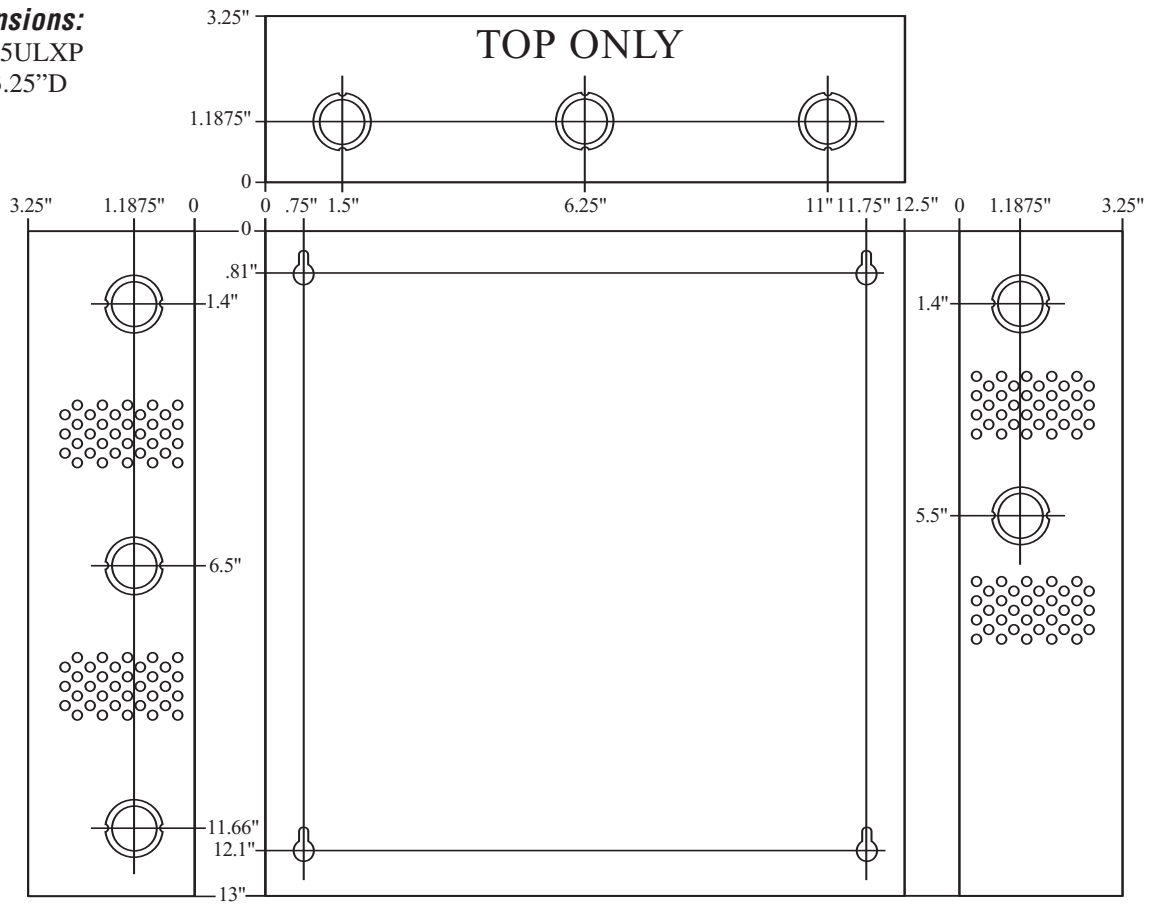
Enclosure Dimensions:

AL125UL, AL125ULE, AL125ULP
 8.5"H x 7.5"W x 3.5"D



Enclosure Dimensions:

AL125ULX/AL125ULXP
 13"H x 13.5"W x 3.25"D



Altronix is not responsible for any typographical errors.

140 58th Street, Brooklyn, New York 11220 USA, 718-567-8181, fax: 718-567-9056
 website: www.altronix.com, e-mail: info@altronix.com, Made in U.S.A.
 IIAL125ULseries D19E

