

A798 Single-Station Direct Thermal Printer



POS Receipt Printers



A798

The champion of value-priced POS printers.

The A798 is the next generation of reliable, high performance, low priced receipt printers. Built on CognitiveTPG's reputation for delivering durable printers, the A798 combines high print speed (150mm/sec) with a small footprint, standard dual interface, and monochrome printing.



RS232 Serial/USB Interface Shown Above

- 150 mm/sec print speeds
- Monochrome thermal printing
- Multiple interface options (Serial, Parallel, USB + Serial (dual), Powered USB)
- Liquid dam and drainage built-in for improved spill resistance
- Steel frame modular design for greater strength and faster delivery
- Unsurpassed reliability -- 60 million printlines and 2.3 million knife cuts
- Standard two-year warranty
- RoHS and WEEE compliant (Serial and USB units)
- Color options: Beige, Dark Gray, Black
- Small footprint (266 sq. cm) to fit in tight spaces

COGNITIVE TPG

800.732.8950
sales@CognitiveTPG.com
www.CognitiveTPG.com

A798

Single-Station Direct Thermal Printer

Fast Monochrome Printing

Sharp 203 dpi thermal printing, with print speeds of 150 mm/sec, improves transaction productivity and customer satisfaction.

Rugged and Reliable Design

Full steel modular frame built around our legendary rugged print mechanism. The steel frame adds strength and stability, extending component life. Combined with CognitiveTPG's exclusive, self-sharpening ceramic knife, the A798 offers the industry's best combination of printhead and autocutter reliability.

Versatile Modular Configuration

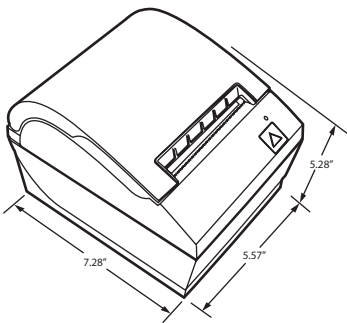
The modular design of the A798 allows for flexible manufacturing systems, enabling us to offer faster delivery and the best price/performance value in POS printers. The A798 is also backwards-compatible with earlier models and many competitive printers.

Ease of Use and Versatility

The A798 offers a small footprint to save valuable space and is designed for easy drop-in paper loading. The installation CD gives the choice of easy and fast basic installation or sophisticated custom installation options.

Increased Spill Resistance

The A798 was designed to withstand actual POS environments. It features a liquid dam and unique drainage features for uninterrupted printing.



Meets strict European standards, such as RoHS & WEEE compliance, for non-toxicity of components and recyclability.

Technical Specifications

PRINT

Method	Direct Thermal
Two-color capability	No
Speed (Monochrome)	150 mm/sec
Resolution	203 DPI
Knife	Standard (Ceramic, Rotary)
Receipt (Columns)	44/56

MEDIA

Paper Roll Size	80 mm x 90 mm
Other Paper Widths	58, 60, 82.5 mm
Paper Low	Not Available

MEMORY

RAM - 128 KB, Flash - 2 MB

COMMUNICATIONS

25-Pin RS-232 Serial	Yes
9-Pin RS-232 Serial	Yes, in Dual Interface
Parallel	Yes (non-RoHS)
USB	Version 2.0 compatible in Dual Interface
Powered USB	Yes
Ethernet	No

RELIABILITY

MCBF Printlines	60 million
MCBF Knife Cuts	2.3 million
Warranty	2 years

CASH DRAWER SUPPORT

1 connector drives up to 2 cash drawers

ELECTRICAL

Operating Voltage	DC 24V
Power Supply	External; Optional
Power Consumption	2.3 A with active power management system

DIMENSIONS

Footprint	144 mm x 185 mm (266 sq. cm)
Height	134 mm
Weight	1.53 kg

CABINET COLORS

Beige, Dark Gray, Black

RECEIPT GRAPHICS

ReceiptWare™ Compatible*	No. Logos can be added via the application * On serial/USB units only
--------------------------	--------------------------------------------------------------------------

OPTIONAL ACCESSORIES

Spill-resistant cover, Wall mount bracket

CognitiveTPG Headquarters

25 Tri-State International, Suite 200, Lincolnshire, IL 60069
Phone: 800-732-8950 Fax: 847-383-7949
www.CognitiveTPG.com
marketing@CognitiveTPG.com
Copyright 2008 CognitiveTPG. All Rights Reserved.

COGNITIVE TPG