

SMART SERIES DOAL

CONFIGURATION GUIDE



PART NUMBER	DESCRIPTION	Current Draw @ 24VDC (typ.)	Continuous Mode	Continuous Mode With Dimming Or On-Off Control	High Output Strobe Mode
			No Controller Required (Can Be Connected Directly To 24VDC)	No Controller Required (Can Be Connected Directly To 24VDC)	No Controller Required (Can Be Connected Directly To 24VDC)
NER-01166040G	SMART SERIES DOAL-25, RED	.40A	Figure A or D	Figure B	Figure C
NER-01166041G	SMART SERIES DOAL-25, WHITE	.20A	Figure A or D	Figure B	Figure C
NER-01166042G	SMART SERIES DOAL-25, BLUE	.20A	Figure A or D	Figure B	Figure C
NER-01166043G	SMART SERIES DOAL-25, INFRARED	.45A	Figure A or D	Figure B	Figure C
NER-01166050G	SMART SERIES DOAL-50, RED	1.3A	Figure A or D	Figure B	Figure C
NER-01166051G	SMART SERIES DOAL-50, WHITE	1.0A	Figure A or D	Figure B	Figure C
NER-01166052G	SMART SERIES DOAL-50, BLUE	1.0A	Figure A or D	Figure B	Figure C
NER-01166053G	SMART SERIES DOAL-50, INFRARED	1.7A	Figure A or D	Figure B	Figure C
NER-01166060G	SMART SERIES DOAL-75, RED	2.4A	Figure A or D	Figure B	Figure C
NER-01166061G	SMART SERIES DOAL-75, WHITE	1.5A	Figure A or D	Figure B	Figure C
NER-01166062G	SMART SERIES DOAL-75, BLUE	1.5A	Figure A or D	Figure B	Figure C
NER-01166063G	SMART SERIES DOAL-75, INFRARED	2.0A	Figure A or D	Figure B	Figure C
NER-01166070G	SMART SERIES DOAL-100, RED	3.6A	Figure A	Figure B	Figure C
NER-01166071G	SMART SERIES DOAL-100, WHITE	1.6A	Figure A	Figure B	Figure C
NER-01166072G	SMART SERIES DOAL-100, BLUE	1.6A	Figure A	Figure B	Figure C
NER-01166073G	SMART SERIES DOAL-100, INFRARED	2.3A	Figure A	Figure B	Figure C

Hardware Required

Item	Description	Part Number
1	Smart Series DOAL Lights	NER-011660XXXG
2	Power Supply DSP60 24VDC 2.5A DIN Mount	NER-011504100
2	Power Supply DSP100 24VDC 4.2A DIN Mount	97-000006-01
3	Cable 5 Pin M12 Female To Flying Leads, 3M	61-000186-01
3	Cable 5 Pin M12 Female To Flying Leads, 5M	61-000187-01
4	Cable, Power Smart Series to QX-1	61-000204-01

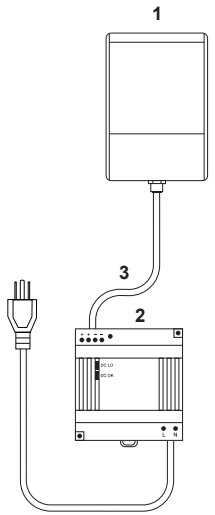


Figure A
DOAL Series Illuminator with power supply

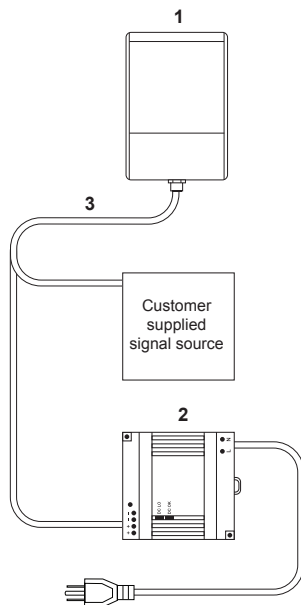


Figure B
DOAL Series Illuminator with customer supplied dimming or on-off signal source

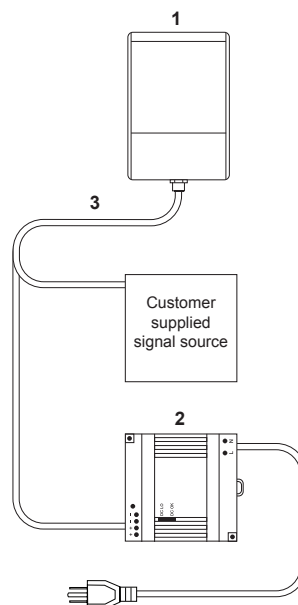


Figure C
DOAL Series Illuminator with customer supplied strobe trigger signal source

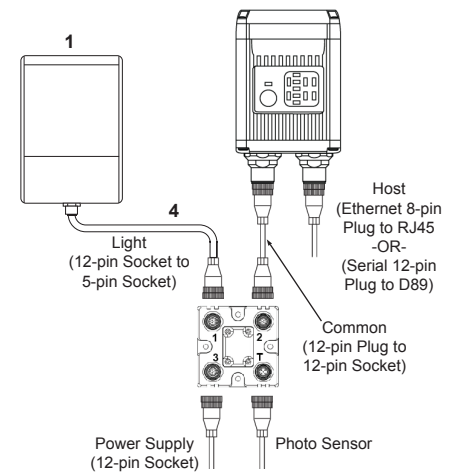


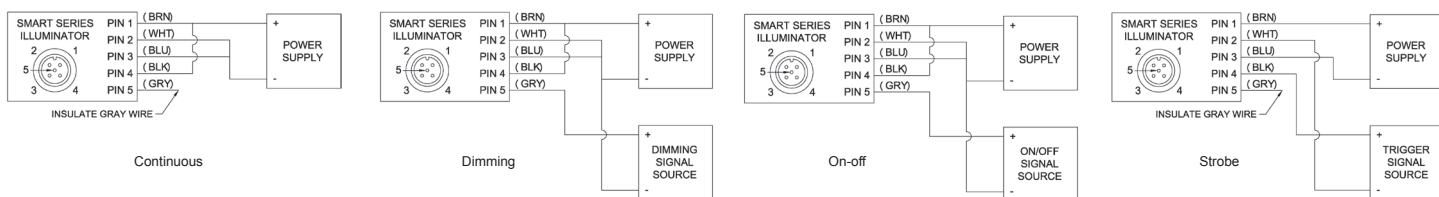
Figure D
Doal Series Illuminator with QX-1 Interface Device (Not Compatible with DOAL 100 Series)

Accessories

Description	Part Number	Application
AC Power Cord US	NER-030028300	Power Cord For Power Supply
AC Power Cord EU	NER-030028400	Power Cord For Power Supply
AC Power Cord UK	NER-030028500	Power Cord For Power Supply

Connections:

Input Connector (M12 Male, 5 Circuit, A-Code)	Pin 1	Pin 2	Pin 3	Pin 4	Pin 5	Backshell
Continuous Mode (Figures A & D):	+20.2-28.8VDC	DC GND	DC GND	+20.2-28.8VDC	No Connection	Shield
Continuous Mode With Dimming (Figure B):	+20.2-28.8VDC	DC GND	DC GND & DIM (-)	+20.2-28.8VDC	Dim (+)	Shield
Continuous Mode With On-Off Control (Figure B):	+20.2-28.8VDC	DC GND	DC GND & DIM (-)	+20.2-28.8VDC	Dim (+)	Shield
High Output Strobe Mode (Figure C):	+20.2-28.8VDC	TRIG (-)	DC GND	TRIG (+)	No Connection	Shield



Control Signals

DIM (Continuous Mode With PWM Dimming):

0VDC (LEDs off) to 3.1-3.5VDC (LEDs on) pulse width modulated (PWM) signal , <1mA, Modulation Frequency 2KHz +/- 100Hz

Note: When using Continuous Mode With Dimming, the LED duty cycle will equal the duty cycle of the dimming signal.

DIM (Continuous Mode With On-Off Control):

0VDC (LEDs off), 3.1-3.5VDC (LEDs on), (<1mA)

TRIG (High Output Strobe Mode):

optoisolated, 0VDC (LEDs off) to 3.1-28.8VDC (LEDs on), 10mA max, 20 μs min Trigger pulse width. Note: High Output Strobe internally limits LED frequency and pulse width to a maximum of 90Hz and 1mS respectively. Light output pulse will follow Trigger pulse width from 20 μs to 1ms.

Note: When using Continuous Mode With Dimming, the LED duty cycle will equal the duty cycle of the dimming signal.

Cable Specifications:

Wire colors for flying lead cables:

- Pin 1 = Brown
- Pin 2 = White
- Pin 3 = Blue
- Pin 4 = Black
- Pin 5 = Gray
- Connector Nut = Shield

Note: Non-Microscan cables may use different wire colors. It is the customer's responsibility to make sure the light is connected correctly per the pin numbers in the table above.