

# Switches

906, 908, 916, 918, 919, 920, 990

## 9 Series Mushroom Buttons



*In or Out...we make it Easy!™*



**906**

2-3/4" x 4-1/2"



**908**

2-3/4" x 4-1/2"



**916**

3" x 4-3/4"



**916N**

1-5/8" x 4-3/4"



**918**

3" x 4-3/4"



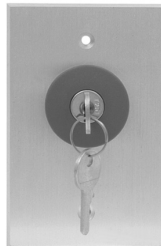
**918N**

1-5/8" x 4-3/4"



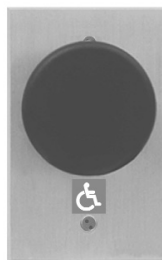
**919**

2-3/4" x 4-1/2"



**920**

2-3/4" x 4-1/2"



**990H**

3" x 4-3/4"



**990E**

3" x 4-3/4"

### Options

- Special Finishes**.....Available upon request (916, 918/919, 990 series)
- 990 Spanish/French**...Specify 990S for Spanish and 990ES for English/Spanish

### Optional Mounting Accessories

- 9SURBOX**.....Surface mount box (4-3/4"H x 3"W x 2-1/2"D) Standard finish: Laurentian Cream
- 9RECBOX**.....Recessed box (4-1/8"H x 2-1/2"W x 1-3/4"D) Standard finish: Steel (Lidless)

## Features & Benefits

### 906/908 Handicapped & Exit Mushroom Buttons

- Ideal for request-to-exit applications
- 20-gauge stainless steel faceplate
- Fits standard single-gang surface or recessed electrical boxes (optional)
- Hardware kit includes steel machine screws
- Momentary, maintained or time-delay action

### 916/918 Tamper-Resistant Handicapped & Exit Mushroom Buttons

- Ideal for request-to-exit applications
- 916N and 918N models can be mounted on narrow-style door frames
- Brushed Anodized Aluminum or Brushed Anodized Dark Bronze finish available
- 1-3/4" diameter, nonremovable button with blue cap (906 Handicapped) or red cap (908 Exit)
- Extruded aluminum 1/4" plate with beveled edges for tamper-resistance and durability

- Momentary, maintained or time-delay action
- Faceplate design allows use with most standard single-gang surface or recessed electrical boxes (optional)

### 919 Rotary Release Mushroom Button

- For request-to-exit applications to prevent user from inadvertently re-engaging lock
- Push the button once to engage; twist cap in direction of arrows to release
- 20-gauge stainless steel faceplate
- Fits standard single-gang surface or recessed electrical boxes (optional)
- Latching momentary action

### 920 Emergency Release Mushroom Button

- Large, 1-3/4" diameter button w/ red cap
- 20-gauge stainless steel faceplate
- For emergency release applications to prevent user from inadvertently re-engaging lock
- Hit button once to engage; key required to reset

### 990 Oversized Tamper-Resistant Handicapped & Exit Mushroom Buttons

- Ideal for request-to-exit applications accommodating ADA requirements
- Also available in Spanish and French
- Oversized, heavy-duty 2-3/8" diameter, nonremovable button with blue (990H) or red (990E) cap
- Extruded aluminum 1/4" plate with beveled edges for tamper-resistance and durability
- Momentary, maintained or time-delay action
- Faceplate design allows use with most standard single-gang surface or recessed electrical boxes (optional)
- Two #6-32 stainless steel tamperproof screws and wrench included
- Heavy-duty snap-action switch element with self-cleaning contacts
- Brushed Anodized Aluminum or Brushed Anodized Dark Bronze finish available
- English and French stickers included

# Specifications

906, 908, 916, 918,  
919, 920, 990

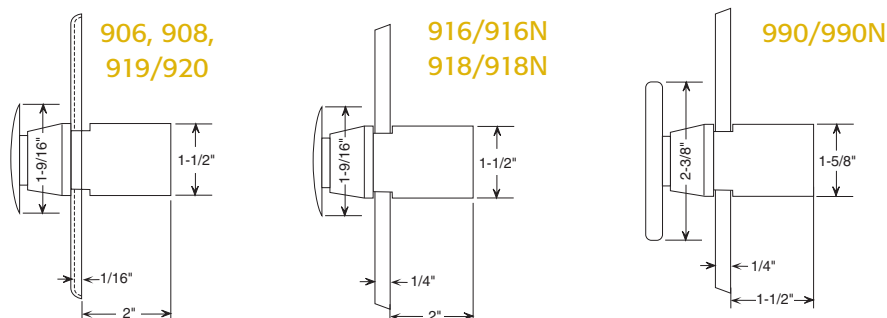


*In or Out...we make it Easy!™*

Description	Switch Mode	Switch Configuration	Switch Rating	Standard Finish
906-MO Handicapped	Momentary Action	SPDT	10A @24V UL/CSA	32D Blue Cap
906-TD Handicapped	Adj. Delay 1 sec - 34 hrs*	DPDT	5A @24V UL/CSA	32D Blue Cap
906-MA Handicapped	Maintained Action	SPDT	10A @24V UL/CSA	32D Blue Cap
908-MO Exit Button	Momentary Action	SPDT	10A @24V UL/CSA	32D Red Cap
908-TD Exit Button	Adj. Delay 1 sec - 34 hrs*	DPDT	5A @24V UL/CSA	32D Red Cap
908-MA Exit Button	Maintained Action	SPDT	10A @24V UL/CSA	32D Red Cap
916-MO Handicapped	Momentary Action	SPDT	10A @24V UL/CSA	28 or 40 Blue Cap
916-TD Handicapped	Adj. Delay 1 sec - 34 hrs*	DPDT	5A @24V UL/CSA	28 or 40 Blue Cap
916-MA Handicapped	Maintained Action	SPDT	10A @24V UL/CSA	28 or 40 Blue Cap
918-MO Exit Button	Momentary Action	SPDT	10A @24V UL/CSA	28 or 40 Red Cap
918-TD Exit Button	Adj. Delay 1 sec - 34 hrs*	DPDT	5A @24V UL/CSA	28 or 40 Red Cap
918-MA Exit Button	Maintained Action	SPDT	10A @24V UL/CSA	28 or 40 Red Cap
919-MA Rotary Release	Maintained Action	SPDT	10A @24V UL/CSA	32D Red Cap
920-MA Rotary Release	Maintained Action	SPDT	10A @24V UL/CSA	32D Red Cap
990-MO Mushroom	Momentary Action	SPDT	10A @24V UL/CSA	28 or 40 Red/Blue Cap
990-TD Mushroom	Adj. Delay 1 sec - 34 hrs*	DPDT	10A @24V UL/CSA	28 or 40 Red/Blue Cap

NOTE: Technical specifications for the 990 are the same for all 990 models. Specifications are subject to change without notice. N/C – Normally Closed; N/O – Normally Open  
\*mounted separately

## Side Profiles



RCI also offers a complete line of Electromagnetic Locks, Electric Locks, Electric Strikes, Power Supplies, Keypads & Readers, Exit Devices, Systems