

GENERAL PURPOSE OUTDOOR HOUSINGS - ACH13



DESCRIPTION

The ACH13 is an outdoor, environmental housing that can accommodate camera/lens combinations up to 10.5" long and 3.6" wide. The body is an attractive white finish with black end caps. A heater/blower, sunshield and red flashing light kit are available.

CERTIFICATIONS

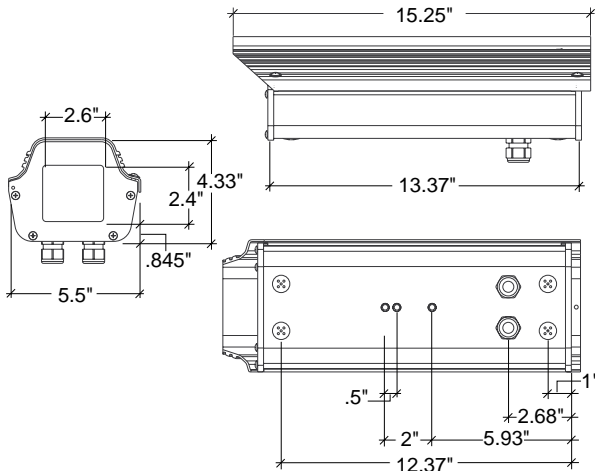


FEATURES

- Side hinge for easy access when servicing
- Accepts many lens and camera combinations
- Designed to meet IP65 standards
- Optional 24 VAC heater/blower, sunshield and red flashing light kit
- Optional DECO1 polycarbonate wall mount isolates camera from electrical ground or WM800 light-duty steel bracket

ARCHITECTURAL/ENGINEERING SPECIFICATIONS

The ACH13 environmental housing shall be constructed from two extruded aluminum (.08" wall thickness, white finish) halves and two injection-molded polycarbonate end caps. A clear polycarbonate viewing window shall be ultrasonically welded to the inside of the front end cap, creating a watertight seal. The rear end cap shall have molded standoffs on the inside surface for easy mounting of the optional blower. The top of the housing shall be hinged from the side to allow accessibility to the camera by one screw in each end cap. Camera adjustment or removal shall be provided via one screw located in the key hole slot on the aluminum camera sled. An optional 25 vA heater may be mounted to the inside of the bottom extrusion, directly behind the viewing window, for defogging and deicing. Four vent plugs (2 in front, 2 in rear) will create a positive air flow (front to rear) when the blower is in use. Two watertight strain relief plugs will be located at the rear of the housing for separate coax and power cable entry.



ELECTRICAL SPECIFICATIONS

Power Source

ACH13HB - 24 VAC, 50/60 Hz

Heater - 24 VAC, 25 vA, 1.04 Amps

Blower - 24 VAC, input (RECTIFIED), 1.4 vA

Power Source

ACH13HB3 - 220 VAC, 50/60 Hz

Heater - 220 VAC, 25 vA, .12 Amp

Blower - 220 VAC, 1.6 vA

ENVIRONMENTAL SPECIFICATIONS

Operating Temperature -20° F to +120° F

Heater activates at +50° F (+/-8°), deactivates at +80° F (+/-5°)

Blower activates at +110° F (+/-7°), deactivates at +80° F (+/-6°)

Operating Humidity: Up to 100%

MODELS

ACH13 - Aluminum housing with clear window and hinged opening

ACH13W - ACH13 with DECO1 wall mount

ACH13WM - ACH13 with WM800 wall mount

ACH13H - ACH13 with 24 VAC heater/thermostat

ACH13HW - ACH13H with DECO1 wall mount

ACH13HWM - ACH13H with WM800 wall mount

ACH13H3 - ACH13 with 220 VAC heater/thermostat

ACH13HW3 - ACH13H3 with DECO1 wall mount

ACH13HWM3 - ACH13H3 with WM800 wall mount

ACH13HB - ACH13 with 24 VAC heater/blower

ACH13HBW - ACH13HB with DECO1 wall mount

ACH13HBWM - ACH13HB with WM800 wall mount

ACH13HB3 - ACH13 with 220 VAC heater/blower

ACH13HBW3 - ACH13HB3 with DECO1 wall mount

ACH13HBWM3 - ACH13HB3 with WM800 wall mount

OPTIONS/ACCESSORIES

ACH10 - Tamper-resistant screw set

ACH2 - 24 VAC heater/thermostat kit

ACH3 - 220 VAC heater/thermostat

ACB2 - 24 VAC blower/thermostat kit

ACB3 - 220 VAC blower/thermostat kit

ACHY - Sunshield for ACH13 models

DECO1 - Polycarbonate wall mount

WM800 -Wall Mount bracket

CM800 -Medium-duty corner mount bracket

CA1200 - Ceiling Mount bracket

KFL13 - Flashing Light kit

WM2400 - Medium-duty, double headed wall mount bracket

SHIPPING SPECIFICATIONS

| Model | Unit Weight | Shipping Weight | Shipping Box Dim. |
|---------|-------------|-----------------|-------------------|
| ACH13 | 4 lbs | 4 Grd/4 Air | 17 x 5 x 6 |
| ACH13HB | 5 lbs | 5 Grd/5 Air | 17 x 5 x 6 |

* Shipping weights depend on box dimensions.